



Photograph by courtesy of Yorkshire Water Services Ltd.

Silver Street
Huddersfield
West Yorkshire
England
HD5 9BS

Tel 01484 424545

Fax 01484 437379

sales@longwoodengineering.co.uk

www.longwoodengineering.co.uk

ER SCREEN

A compact screen providing a
high solids discharge level at a
low capital cost

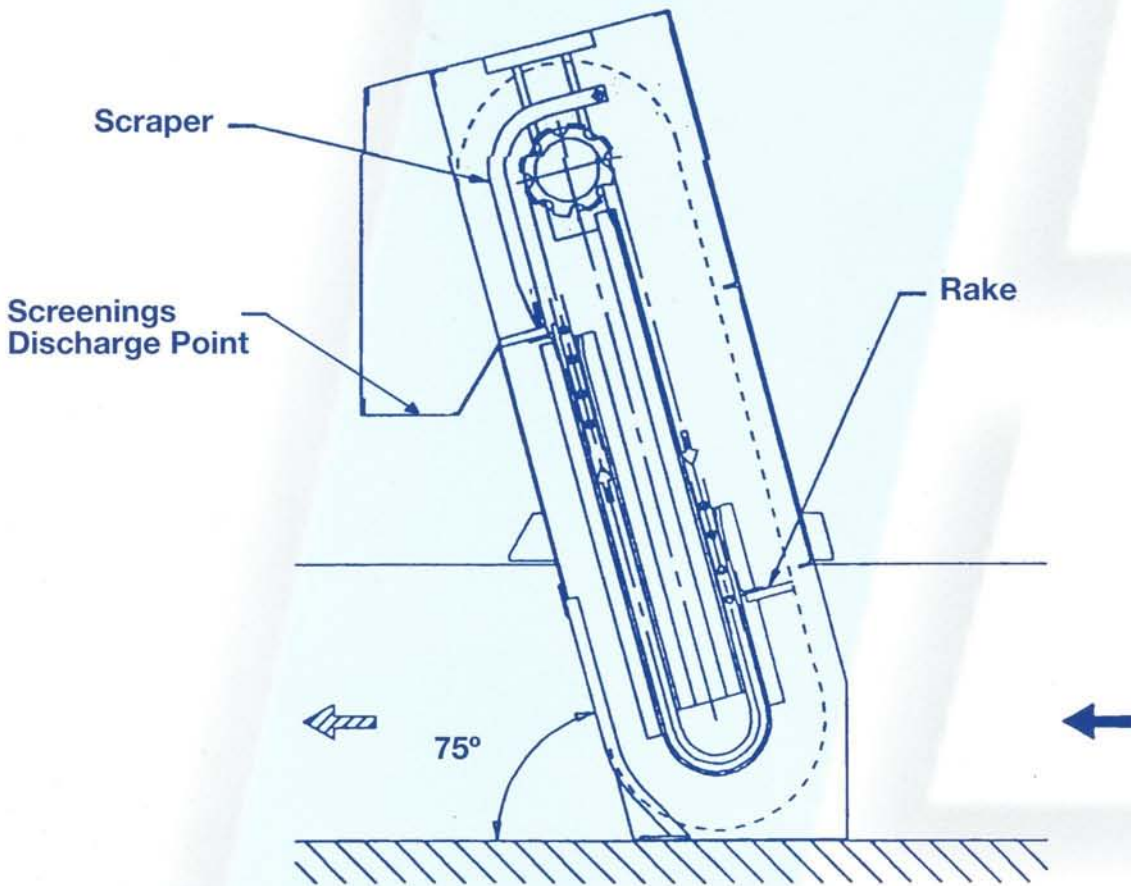
ER SCREEN

P a r k w o o d™

The
*Longwood Engineering
Company Limited*



LE / 19 / 06



The Parkwood ER Screen is a compact multi-rake screen which can readily be installed in new or existing channels with the minimum of civil alterations.

Each screen is individually designed and manufactured to the customer's requirements and different sizes are available with bar spacing from 6mm upwards. The maximum channel width is 3000mm and the maximum invert to discharge point is 8000mm. Flow capacity is dependent on width of channel, top water level and bar spacing.

The raking action is on the endless chain principle, although there are no bearings or bottom sprockets in the flow.

Every screen is fully assembled and tested in our factory before despatch to site.

The type ER has the benefit of low running costs and is very competitively priced.

ER SCREEN

P a r k w o o d TM

The
Longwood Engineering
Company Limited



LE / 19 / 06